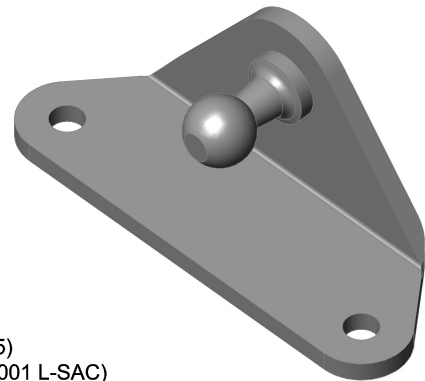


(1:1)



- 1 - Bolt (BS31005)
- 2 - Bracket (BR2001 L-SAC)

General Tolerances DIN ISO 2768-medium

(C) MK Material Oto. San. ve Tic. Ltd. Şti. All rights reserved.

| Mea.        | Tolerance                 | T. Max. Dim. | T. Min. Dim. | Material | Note  |
|-------------|---------------------------|--------------|--------------|----------|---|
|             |                           |              |              | -        | -   |
|             |                           |              |              |          |   |
|             |                           |              |              |          |   |
|             | Name                      | Date         | Signature    | Plating  | Quality control:<br><input type="checkbox"/> Product accepted.<br><input type="checkbox"/> Product rejected.<br><input type="checkbox"/> Product accepted conditionally.<br>Date: |
| Drawn By    |                           |              |              |          |   |
| Checked By  |                           |              |              | -        |   |
| Approved By |                           |              |              |          |   |
| Scale       | Drawing No / Company Name |              |              | Rev. No  |   |
| 1:1         | BR200103I                 |              |              | 01       |   |