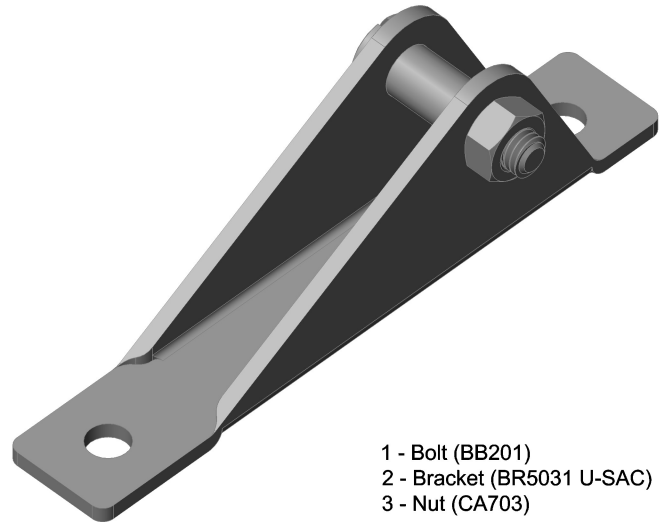


(1:1)



- 1 - Bolt (BB201)
- 2 - Bracket (BR5031 U-SAC)
- 3 - Nut (CA703)

General Tolerances DIN ISO 2768-medium

(C) MK Material Oto. San. ve Tic. Ltd. Şti. All rights reserved.

| Mea. | Tolerance | T. Max. Dim. | T. Min. Dim. | Material | Note |
|-------------|---------------------------|--------------|--------------|----------|---|
| | | | | - | - |
| | | | | | |
| | | | | | |
| | Name | Date | Signature | Plating | Quality control: <input type="checkbox"/> Product accepted. <input type="checkbox"/> Product rejected. <input type="checkbox"/> Product accepted conditionally. Date: |
| Drawn By | | | | | |
| Checked By | | | | - | |
| Approved By | | | | | |
| Scale | Drawing No / Company Name | | | Rev. No | |
| 1:2 | BR503101 | | | 01 | |