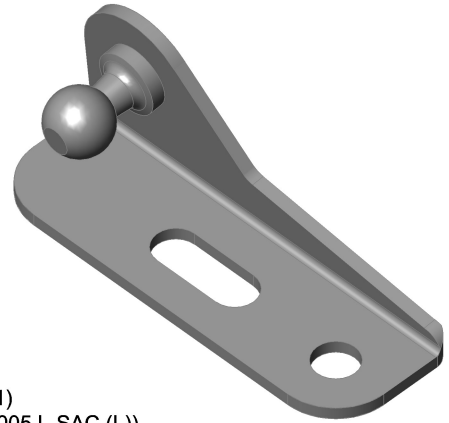


(1:1)



- 1 - Bolt (BS31001)  
2 - Bracket (BR6005 L-SAC (L))

General Tolerances DIN ISO 2768-medium

(C) MK Material Oto. San. ve Tic. Ltd. Şti. All rights reserved.

Mea.	Tolerance	T. Max. Dim.	T. Min. Dim.	Material	Note
				-	-
	Name	Date	Signature	Plating	Quality control: <input type="checkbox"/> Product accepted. <input type="checkbox"/> Product rejected. <input type="checkbox"/> Product accepted conditionally. Date:
Drawed By					
Checked By				-	
Approved By					
Scale	Drawing No / Company Name			Rev. No	
1:1	<b>BR600502 (L)</b>			00	