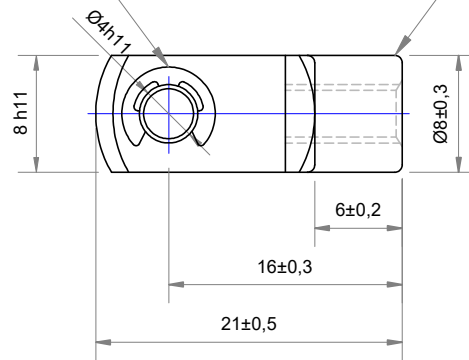
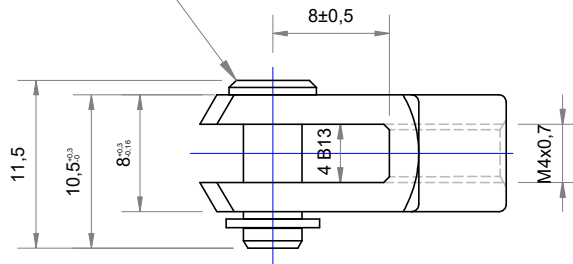


E-Retaining Ring (CA201AB)


Clevis (CV101AA)



Bolt (CB201AA)



General Tolerances DIN ISO 2768-medium

Mea.	Tolerance	T. Max. Dim.	T. Min. Dim.	Material	Note
				11SMnPb30	-
	Name	Date	Signature	Plating	 MK MATERIAL <i>We are reshaping the world...</i>
Drawed By				Zn/White	
Checked By					
Approved By					
Scale	Drawing No / Company Name			Rev. No	
2:1	CC201AA			00	