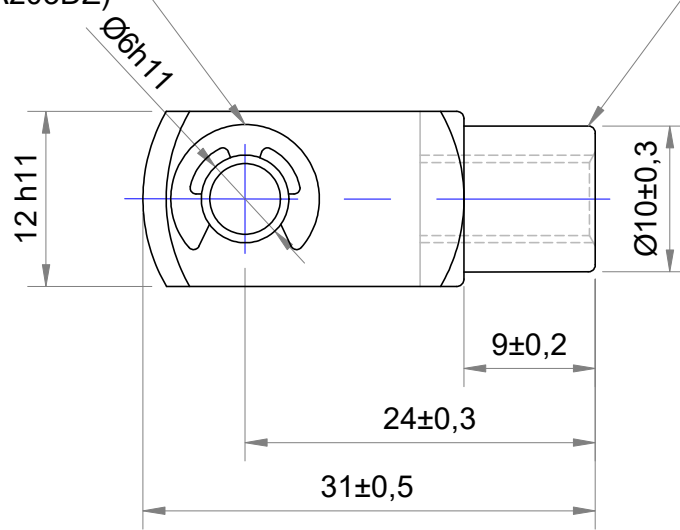
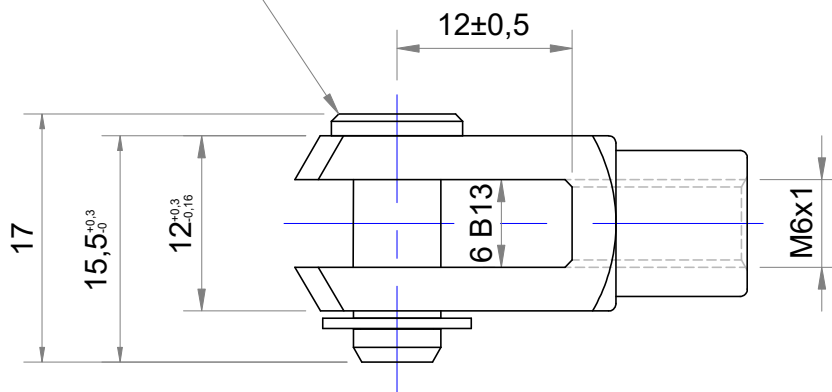


E-Retaining Ring (CA203DZ)


Clevis (CV105DZ)



Bolt (CB203DZ)



General Tolerances DIN ISO 2768-medium

| Mea.        | Tolerance                 | T. Max. Dim. | T. Min. Dim. | Material | Note  |
|-------------|---------------------------|--------------|--------------|----------|---|
|             |                           |              |              | AISI304  | -   |
|             | Name                      | Date         | Signature    | Plating  |  |
| Drawed By   |                           |              |              | -        |   |
| Checked By  |                           |              |              |          |   |
| Approved By |                           |              |              |          |   |
| Scale       | Drawing No / Company Name |              |              | Rev. No  |   |
| 2:1         | CC205DZ                   |              |              | 00       |   |