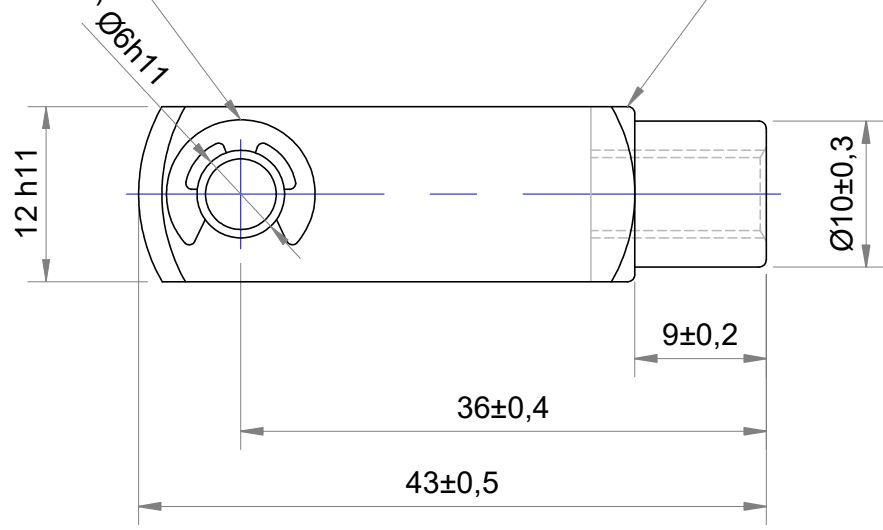
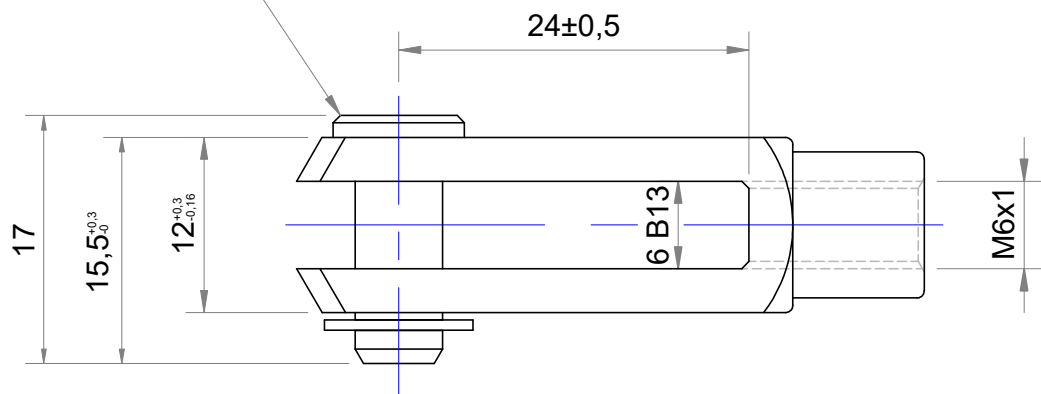


E-Retaining Ring (CA203EZ)


Clevis (CV106EZ)



Bolt (CB203EZ)



General Tolerances DIN ISO 2768-medium

Mea.	Tolerance	T. Max. Dim.	T. Min. Dim.	Material	Note
				AISI316	-
	Name	Date	Signature	Plating	
Drawn By				-	
Checked By					
Approved By					
Scale	Drawing No / Company Name			Rev. No	
2:1	CC206EZ			00	