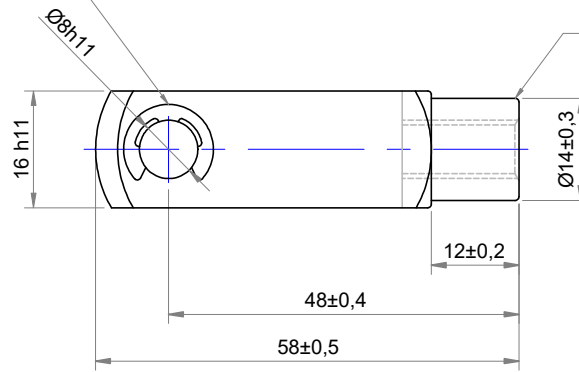
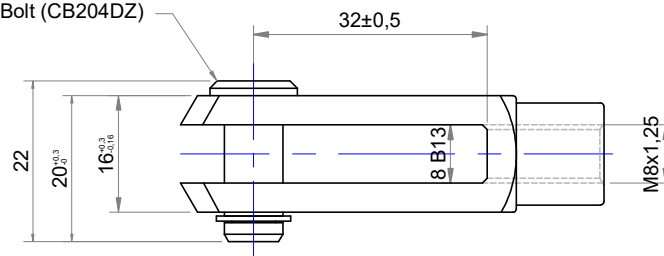


E-Retaining Ring (CA204DZ)




Clevis (CV108DZ)

Bolt (CB204DZ)



General Tolerances DIN ISO 2768-medium

Mea.	Tolerance	T. Max. Dim.	T. Min. Dim.	Material	Note
				AISI304	-
	Name	Date	Signature	Plating	
Drawn By				-	
Checked By					
Approved By					
Scale	Drawing No / Company Name			Rev. No	
1:1	CC208DZ			00	