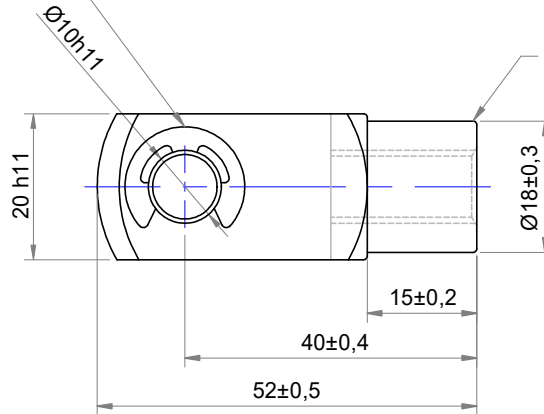
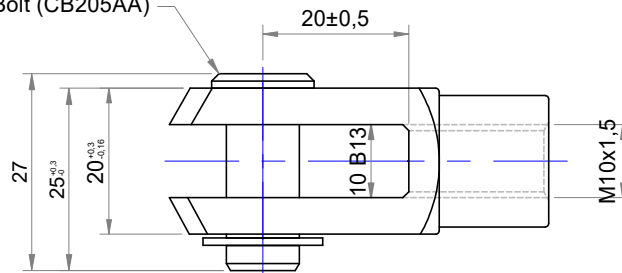


E-Retaining Ring (CA205AB)




Clevis (CV109AA)

Bolt (CB205AA)



General Tolerances DIN ISO 2768-medium

Mea.	Tolerance	T. Max. Dim.	T. Min. Dim.	Material	Note
				11SMnPb30	-
	Name	Date	Signature	Plating	 <b>NK MATERIAL</b> <i>We are reshaping the world...</i>
Drawn By				Zn/White	
Checked By					
Approved By					
Scale	Drawing No / Company Name			Rev. No	
1:1	<b>CC209AA</b>			00	