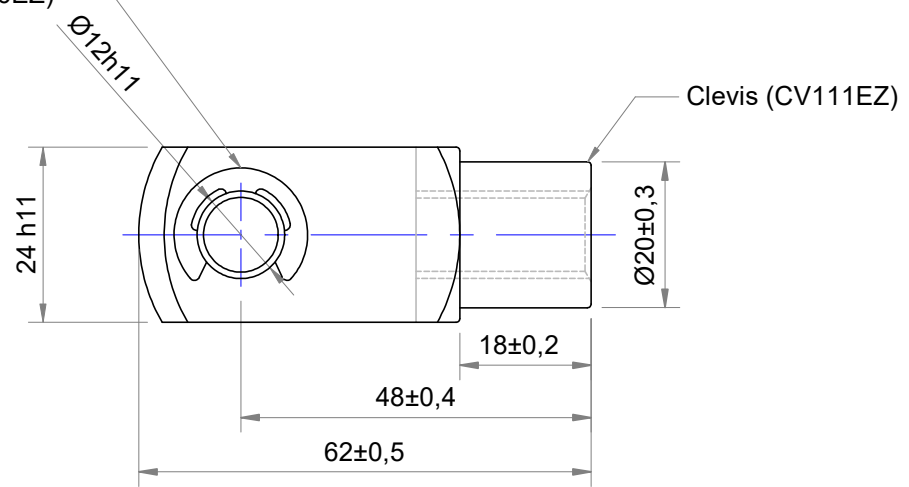
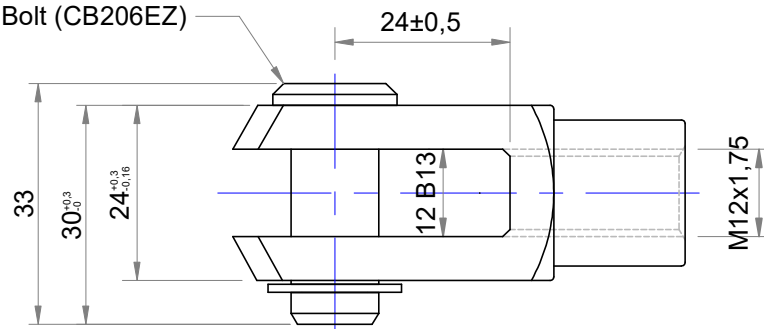



E-Retaining Ring (CA206EZ)



Bolt (CB206EZ)



General Tolerances DIN ISO 2768-medium

| Mea. | Tolerance | T. Max. Dim. | T. Min. Dim. | Material | Note |
|-------------|---------------------------|--------------|--------------|----------|---|
| | | | | AISI316 | - |
| | Name | Date | Signature | Plating |  |
| Drawn By | | | | - | |
| Checked By | | | | | |
| Approved By | | | | | |
| Scale | Drawing No / Company Name | | | Rev. No | |
| 1:1 | CC211EZ | | | 00 | |