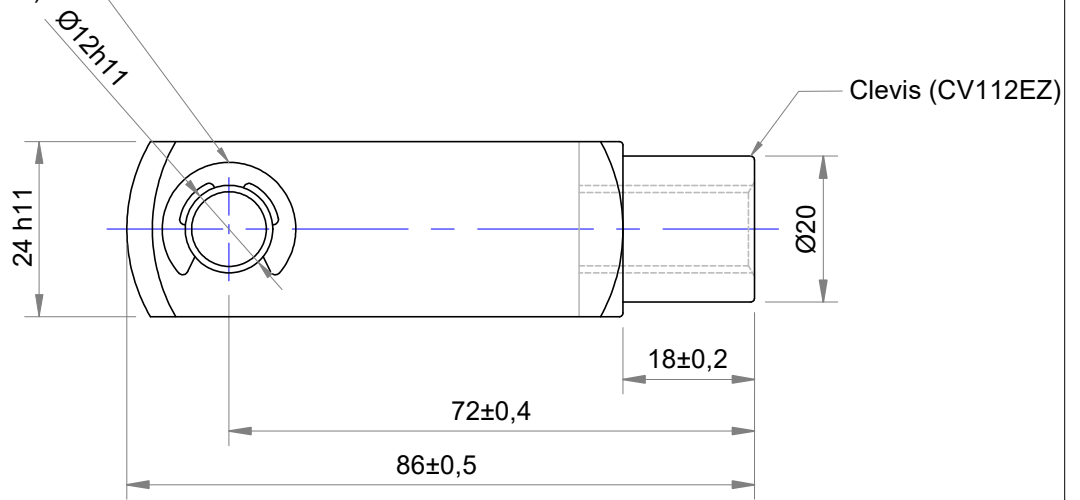
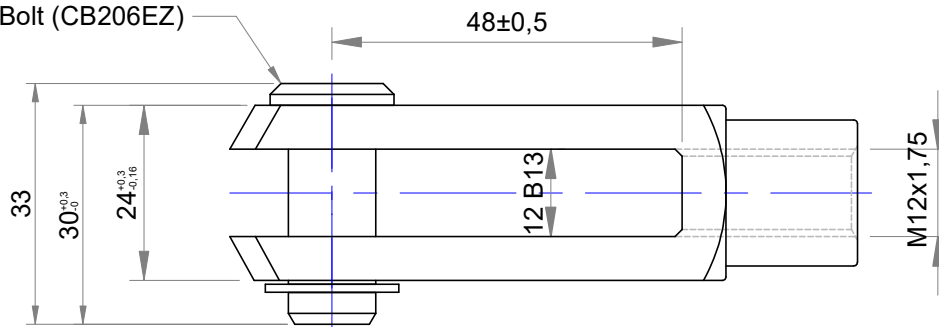



E-Retaining Ring (CA206EZ)



Bolt (CB206EZ)



General Tolerances DIN ISO 2768-medium

Mea.	Tolerance	T. Max. Dim.	T. Min. Dim.	Material	Note
				AISI316	-
	Name	Date	Signature	Plating	 <b>MK MATERIAL</b> <i>We are reshaping the world...</i>
Drawn By				-	
Checked By					
Approved By					
Scale	Drawing No / Company Name			Rev. No	
1:1	<b>CC212EZ</b>			00	