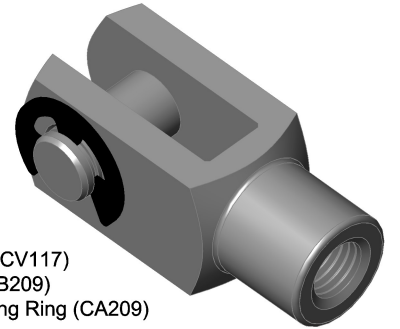


(1:2)



- 1- Clevis (CV117)
- 2- Bolt (CB209)
- 3- Retaining Ring (CA209)

No sharp ends, no burrs, no significant surface defects.
General Tolerances DIN ISO 2768-medium

(C) MK Material Oto. San. ve Tic. Ltd. Şti. All rights reserved.

Mea.	Tolerance	T. Max. Dim.	T. Min. Dim.	Material	Note
				-	-
	Name	Date	Signature	Plating	Quality control: <input type="checkbox"/> Product accepted. <input type="checkbox"/> Product rejected. <input type="checkbox"/> Product accepted conditionally. Date:
Drawed By				-	
Checked By					
Approved By					
Scale	Drawing No / Company Name			Rev. No	
1:2	CC217			01	